

# ROTARY PISTON

## Vacuum Pump

### For Hydrogen Seal Oil Purifiers

**VACUUM INDUSTRIAL PRODUCTS** Model WS-30B Rotary Piston vacuum pump is a heavy duty INDUSTRIAL GRADE unit capable of producing an ultimate vacuum of 10 microns abs (29.9"+ Hg).

The system has been EXCLUSIVELY DESIGNED for use in the power generating industry to distill off condensed water vapor out of generator turbine oil. The motor and solenoid valve are explosion-proof rated and an inline gear reducer is used to address safety concerns for the presence of hydrogen in the process gas stream.

Low pump rpm (350 rpm) and generous oil supply insures minimal wear to the pump from water diluted oil resulting in an exceptionally durable vacuum pumping system. One can easily expect 20+ years of use from this pumping system with only a minimal of routine maintenance required.

### FEATURES

- Air Cooled / Water Cooled
- No metal to metal contact
- Long lasting & durable
- Full pumping speed down to 1 Torr
- Absolute pressures to 0.050 Torr
- Over 40 years of proven reliability

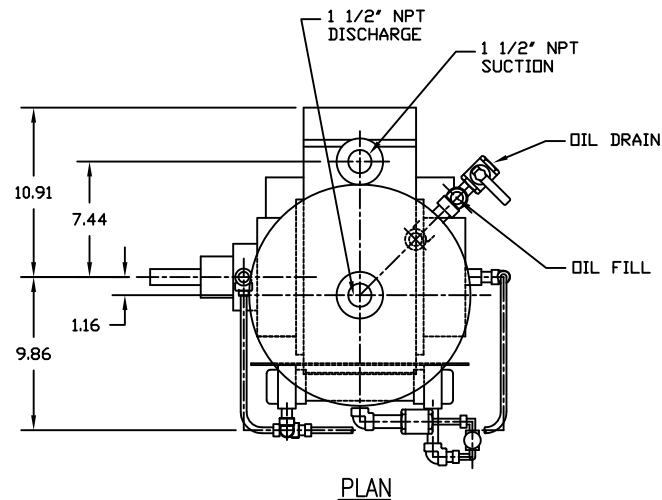


## SPECIFICATIONS

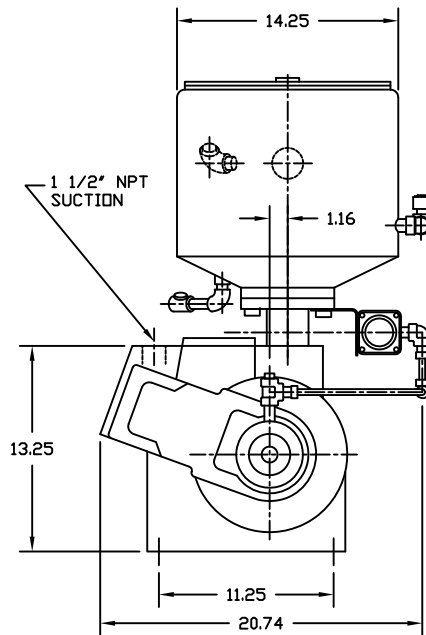
Pump Model		WS-30B
Displacement	CFM	43
Ultimate Vacuum	Torr	0.010 (29.9"+Hg)
Motor	Hp	3
Pump Speed	RPM	350
Oil Capacity	Gal	3.75
Inlet connection	in.	1.5" NPT
Exhaust connection	in.	2" NPT
Pump Weight	Lbs.	750

VACUUM INDUSTRIAL PRODUCTS 2025 Prairie Ave Downers Grove, IL. 60515

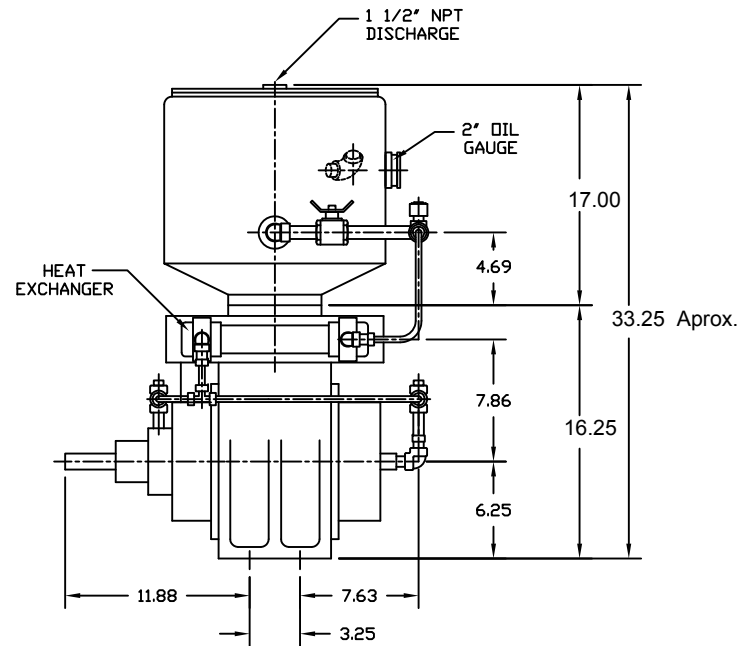
Phone: (630) 969-8111 Fax: (630) 969-2096 www.vipvacuum.com



PLAN



END VIEW

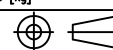


ELEVATION

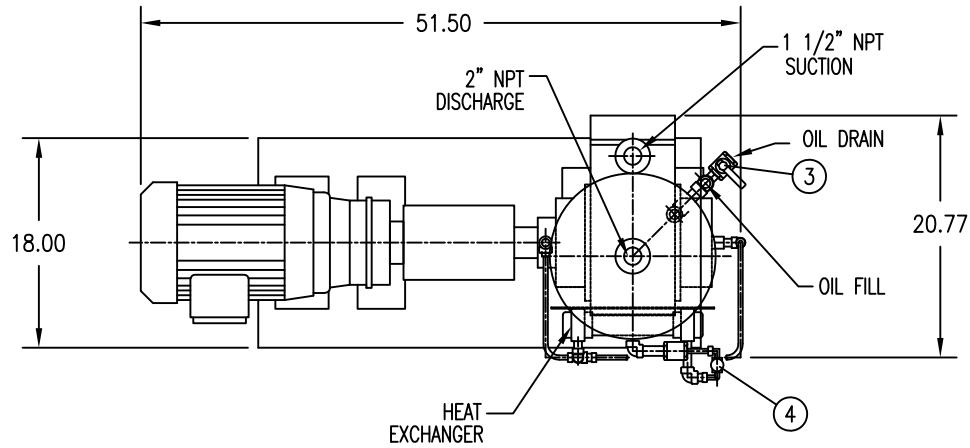
NOTES:

1. ALL STANDARD UNIT PIPING SHALL BE SCH/40 ASTM A-53 TYPE F C/W 150# ASTM A-197 MALLEABLE IRON THREADED FITTINGS.
2. DIMENSION TOLERANCE TO 1/4".

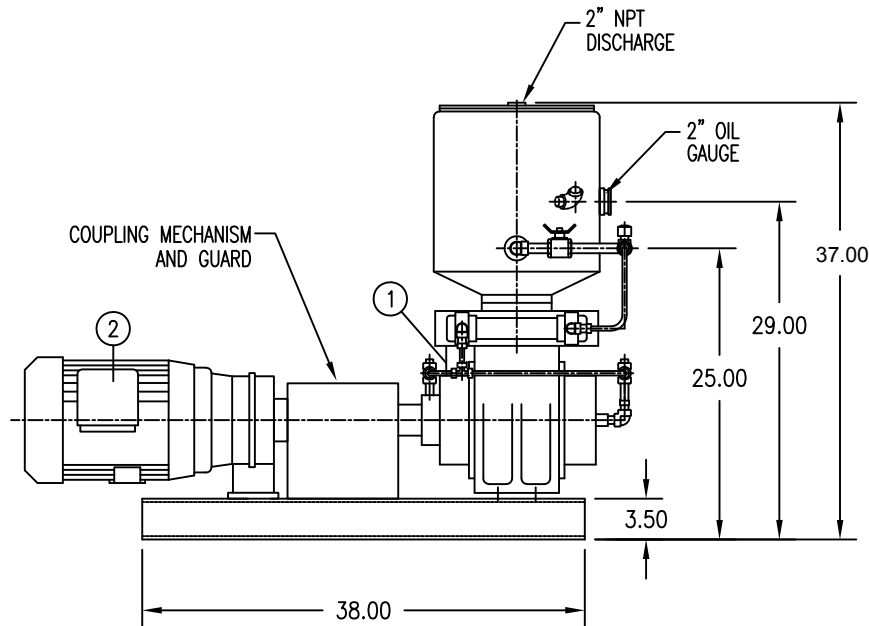
DIMENSIONS ARE IN INCHES [mm]  
 WEIGHT IN LBS [kg]  
 THIRD ANGLE  
 PROJECTION



0	INITIAL RELEASE			JCM	PD	PD	21-APR-10
REV	DESCRIPTION			DWN	CK	APP	DATE
DWN	JCM	21-APR-10	<small>THIS DRAWING AND ALL INFORMATION SHOWN HEREON ARE THE EXCLUSIVE PROPERTY OF DNYXX VACUUM PUMPS, AND ARE SUBMITTED ON A CONFIDENTIAL BASIS ONLY. THE RECIPIENT AGREES NOT TO REPRODUCE THE DISCLOSURE OF THE DRAWING OR THE INFORMATION DRAWING, TO RETURN IT UPON REQUEST AND THAT NO SHOWN HEREON WILL BE MADE TO THE THIRD PARTY WITHOUT PRIOR WRITTEN CONSENT OF DNYXX.</small>	CERTIFIED DRAWING			
CK	PD	21-APR-10					
APP	PD	21-APR-10					
SCALE		1 1/2"=1'-0"		<b>VACUUM PUMP</b>  DWG. NO. _____ REV 0			
VACUUM PUMP OUTLINE DRAWING							



**PLAN**



**ELEVATION**

NO.	QTY	DESCRIPTION
1	1	VACUUM PUMP MODEL WS-30B
2	1	ELECTRIC MOTOR - 3HP, 3 PHASE 230/460, 350 RPM PARALLELED GEAR HEAD
3	1	OIL DRAIN VALVE, BRASS 1/2"
4	1	SOLENOID VALVE on OIL LINE

**NOTES:**

1. ALL STANDARD UNIT PIPING SHALL BE SCH/40 ASTM A-53 TYPE F C/W 150# ASTM A-197 MALLEABLE IRON THREADED FITTINGS.
2. DIMENSION TOLERANCE TO 1/4".
3. CUSTOMER IS RESPONSIBLE FOR PROPER LIFTING EQUIPMENT FOR LIFTING SKID.
4. ANCHOR BOLTS ARE NOT FURNISHED WITH UNIT.

1	GENERAL REVISION			JCM	PD	PD	27-JUN-11
REV	DESCRIPTION			DWN	CK	APP	DATE
DWN	JCM	13-NOV-10	THIS DRAWING AND ALL INFORMATION SHOWN HEREIN ARE THE EXCLUSIVE PROPERTY OF US VACUUM PUMPS, AND ARE SUBMITTED ON A CONFIDENTIAL BASIS ONLY. THE RECIPIENT AGREES NOT TO REPRODUCE THE DISCLOSURE OF THE DRAWING AND THAT NO SHOWN HEREIN WILL BE MADE TO THE THIRD PARTY WITHOUT PRIOR WRITTEN CONSENT OF US VACUUM.	CERTIFIED DRAWING			
CK	PD	13-NOV-10		<b>VACUUM INDUSTRIAL PRODUCTS</b>			
APP	PD	13-NOV-10					
SCALE 1/2"=1'-0"							
WS-30B VACUUM PUMP SYSTEM SKID MOUNTED				DWG. NO.			REV 1

DIMENSIONS ARE IN INCHES [mm]  
WEIGHT IN LBS [kg]

THIRD ANGLE PROJECTION